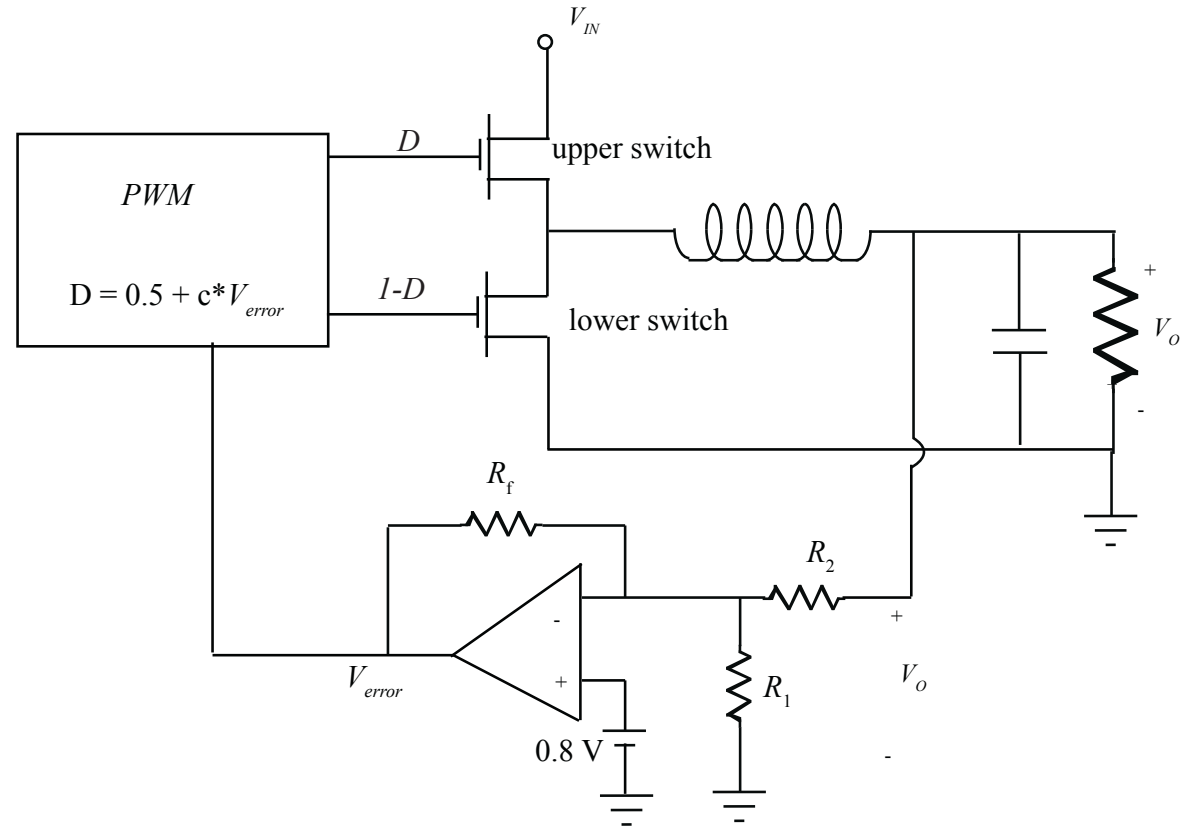


Buck Supply Block Diagram



$$v_0 = v_{in} * D = v_{in} * (0.5 + c * v_{error})$$

$$v_{error} = 0.8 \left(1 + \frac{R_f}{R_{ll}}\right) - \frac{R_f}{R_{ll}} * k * v_0$$

$$\text{as } R_f \rightarrow \infty \quad v_0 \rightarrow 0.8 / k = 0.8 * \left(\frac{R_1 + R_2}{R_1}\right)$$

Pulse Width Modulator

